



CLADDING FIXING
SYSTEM WG 65

WG 65

CLADDING FIXING SYSTEMS

- WELLBOND can be successfully applied as a decorative material for walls ,ceillings and column claddings whether for exterior or interior uses .
wellbond systems based on a rain screen principal with provision for natural ventilation of the space between the cladding panels and the wall .
- Due to outstanding rigidity ,wide colour and gloss range .wash easiness and high resistance against moisture,salts,acids and cleaning detergents wellbond is the perfect material for premises of different types; wellbond is an absolutely ecologically safe material and can be used for residential premises of all types without exception .
- In the guide we will describe only several of the popular techniques .to achieve perfect cladding with smooth surface and right angles it is necessary to compensate wall defects and tolerances .
for this purposes we recommend to use fixing system.
- Making the frame with aluminum profiles can guarantee easier installation and much more long lasting life of the whole system .

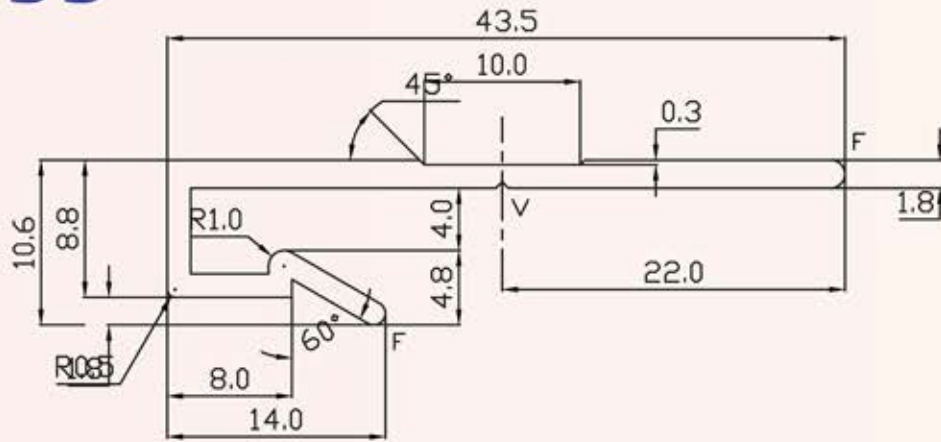
FIXING :

- Fasteners , including concealed screw , nuts, bolts and other items required for connecting aluminum to aluminum or aluminum to steel are to be of galvanized steel or non-magnetic stainless steel .
- Blind rivets used for fastening WELLBOND panels to aluminum sub frame , are to be of aluminum alloy.
- All fixing anchors, brackets and similar attachments used in the fixation are to be made from aluminum , non-magnetic stainless steel ,zinc coated steel or hot dip zinc galvanized steel .
- If the reinforcement of the panel is required , an extruded aluminum profile of suitable cross-section and strength will be bonded to the reverse side of the WELLBOND panels using double sided adhesive tape «3M» application of bonding systems are to be in strict conformity with the manufacturer's specification . the ends of the stiffener are mechanically joined to the panel sub frame .
- Each panel is marked on the reverse side for easy identification of size and location on request .
- Finished panels are stored and transported to site in vertical position , face - to - face respectively , back - to - back , with adequate protection to prevent scratches and dents .
- The factory applied protective peel - off tape shall only be removed after the panels have been installed on site .

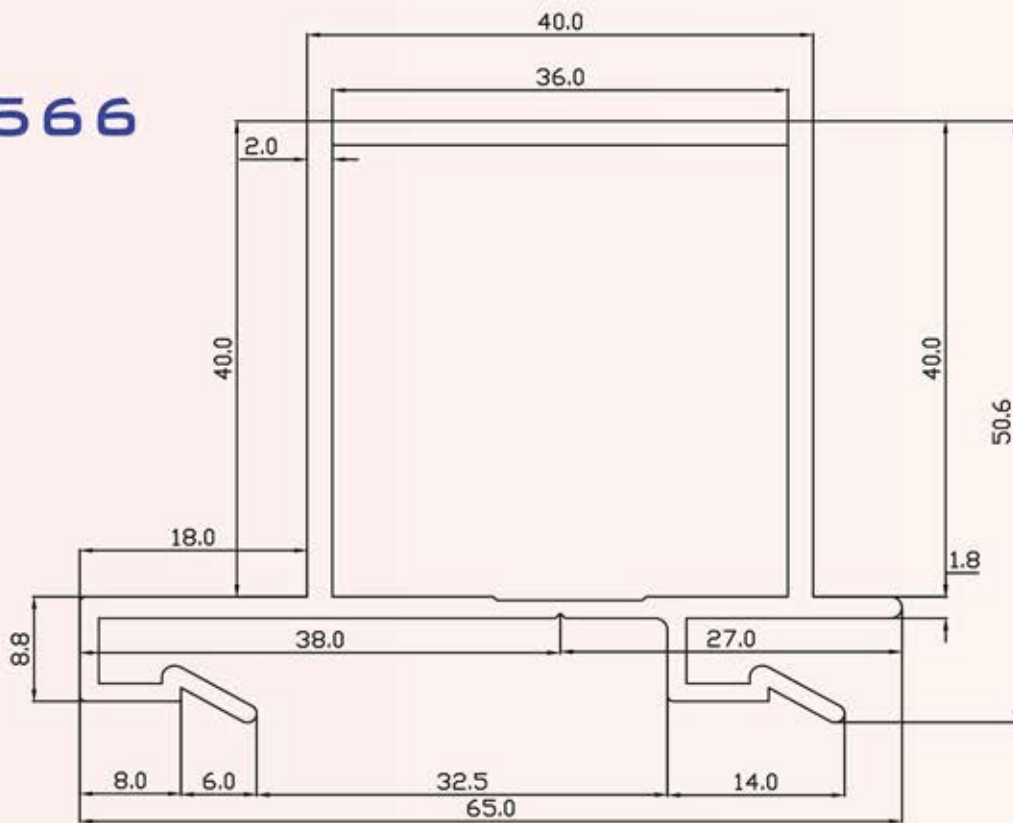
EXTERIOR INSTALLATION

- Panels are to be stored on site in vertical position , face - to -face respectively back -to-back ,with adequate protection to prevent scratches and dents .
- Any component parts, which are observed to be defective in any way,including warped,bowed,dented, and broken member,must not be installed . members or parts,which have been damaged during installation before or after the time of final acceptance are removed and replaced .
- No cutting , trimming , welding or brazing of component parts during fixation in any manner which would damage the finish , decrease the strength or result in visual imperfection or failure in performance are executed during fixation . component parts,which require replacement , will be returned to shop for fabrication , if necessary replaced with new parts .
- Anchorage of the cladding structure to the building structure shall be by approved methods in strict accordance to the specification and approved shop and fixation drawing . supporting brackets are so designed as to provide three - dimensional adjustments and accurate location of cladding components .
- All components parts are installed level, true to line with uniform joints and reveals .
- Maximum deviation for vertical member : 3 mm max .in a 6 m run and 5mm max.in a 12m run.
- Maximum deviation for horizontal members : 3mm max in an 12 m run
- Maximum offset from true alignment between the abutting members shall not exceed 1.0mm
- The tolerance of the width of the joints between two panels in maximum + 2mm.
- Cladding panels are to be left protected by the factory applied peel -off tape as long as possible . under no cricumstances the peel off tape on indivdual panels is to be partially removed and left exposed to weathering
- Before handing over of the completed cladding all peel off tape will be removed.

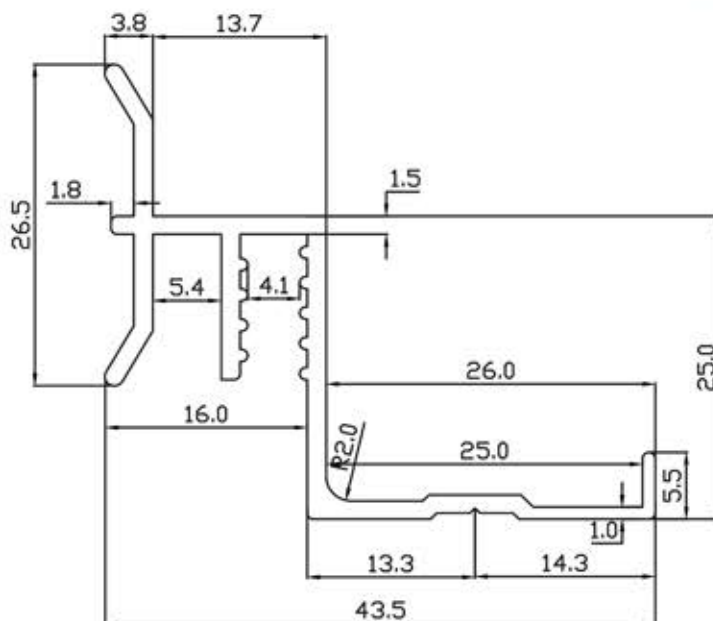
WG6555



WG6566



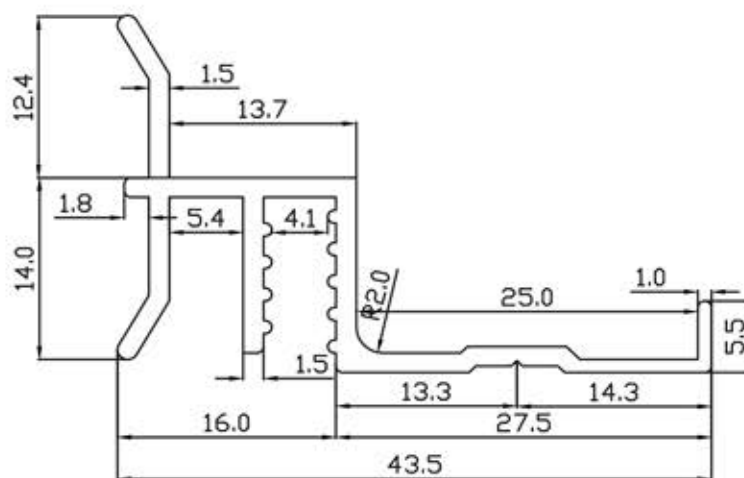
WG6562



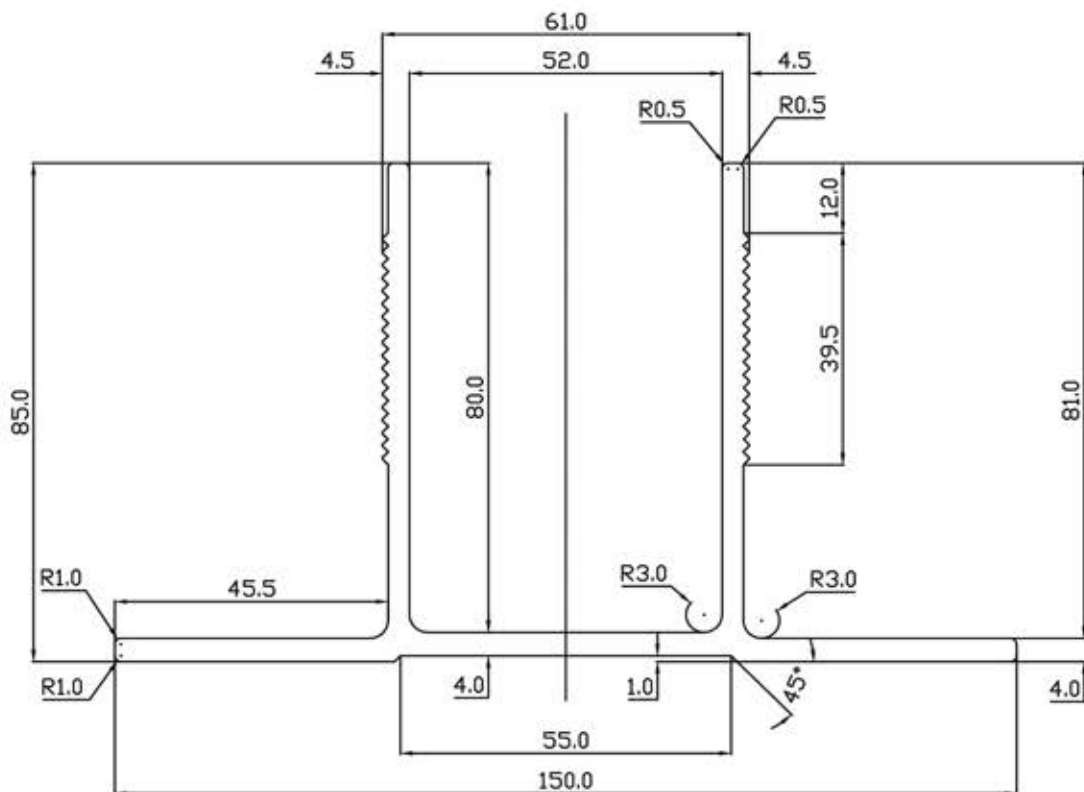
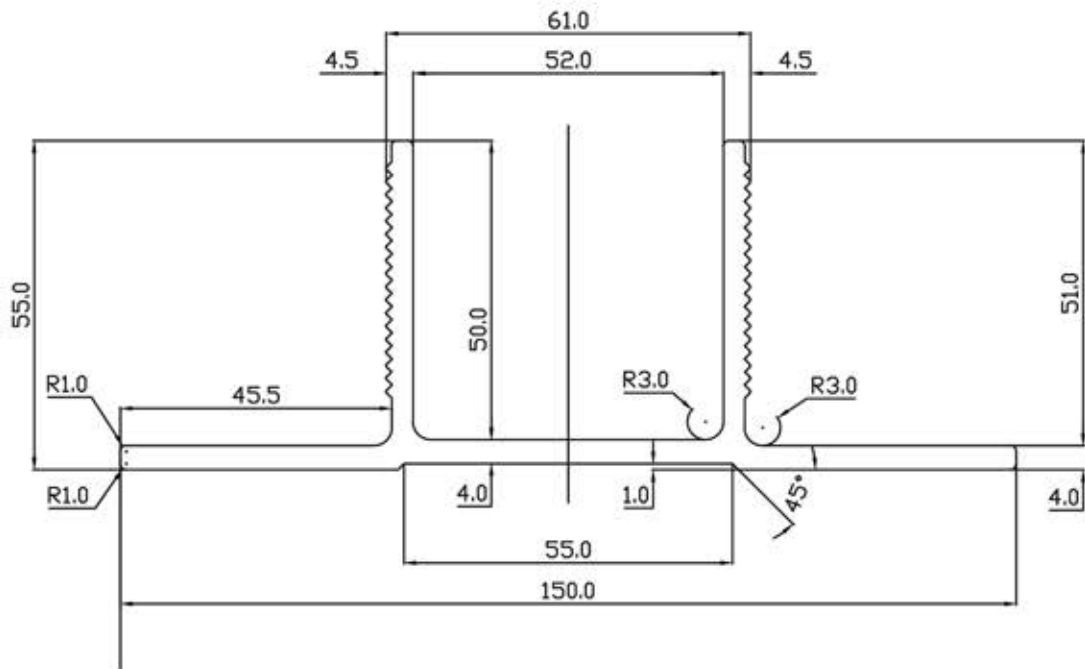
WG6563



WG6565

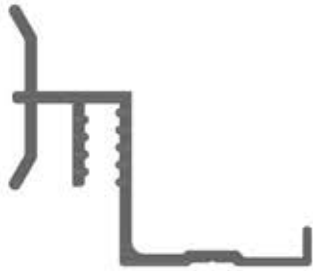


WELLBOND WALL BRACKET



- ALL ALUMINUM PROFILES FOR EXTERIOR FIXING SYSTEMS ARE PRODUCED OF ALUMINUM ALLOY 6063T6.
- STANDARD LENGTHS IS 6 M .
- OTHER LENGTHS CAN BE ALSO PRODUCED FOR SPECIAL REQUESTS .

PROFILE INDEX



WG 6562 CLIP-IN PROFILE
(ZERO JOINT)



WG 6563 RUNNER PROFILE



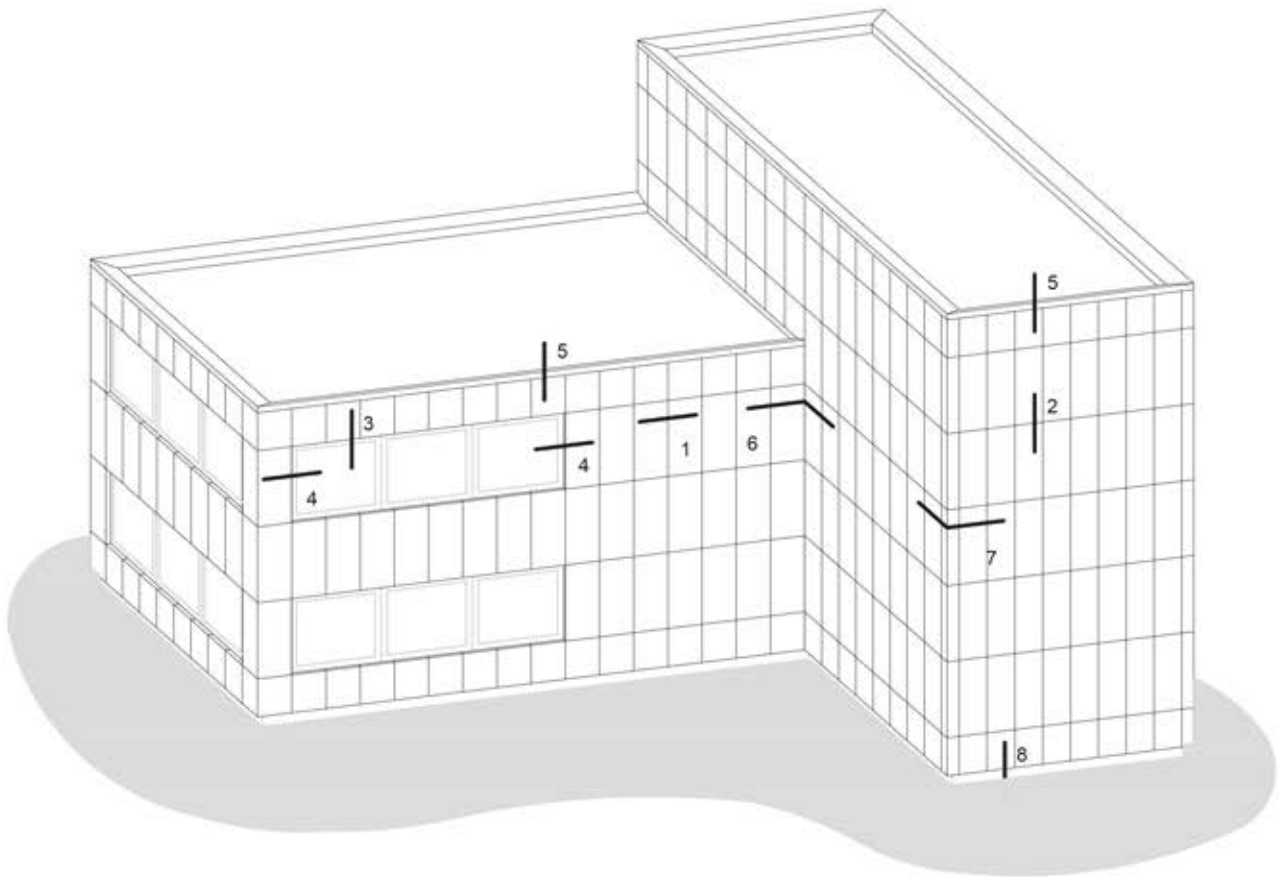
WG 6555 END RUNNER PROFILE



WG 6565 CLIP-IN PROFILE
(GAP JOINT)



WG 6566 BOX TYPE RUNNER

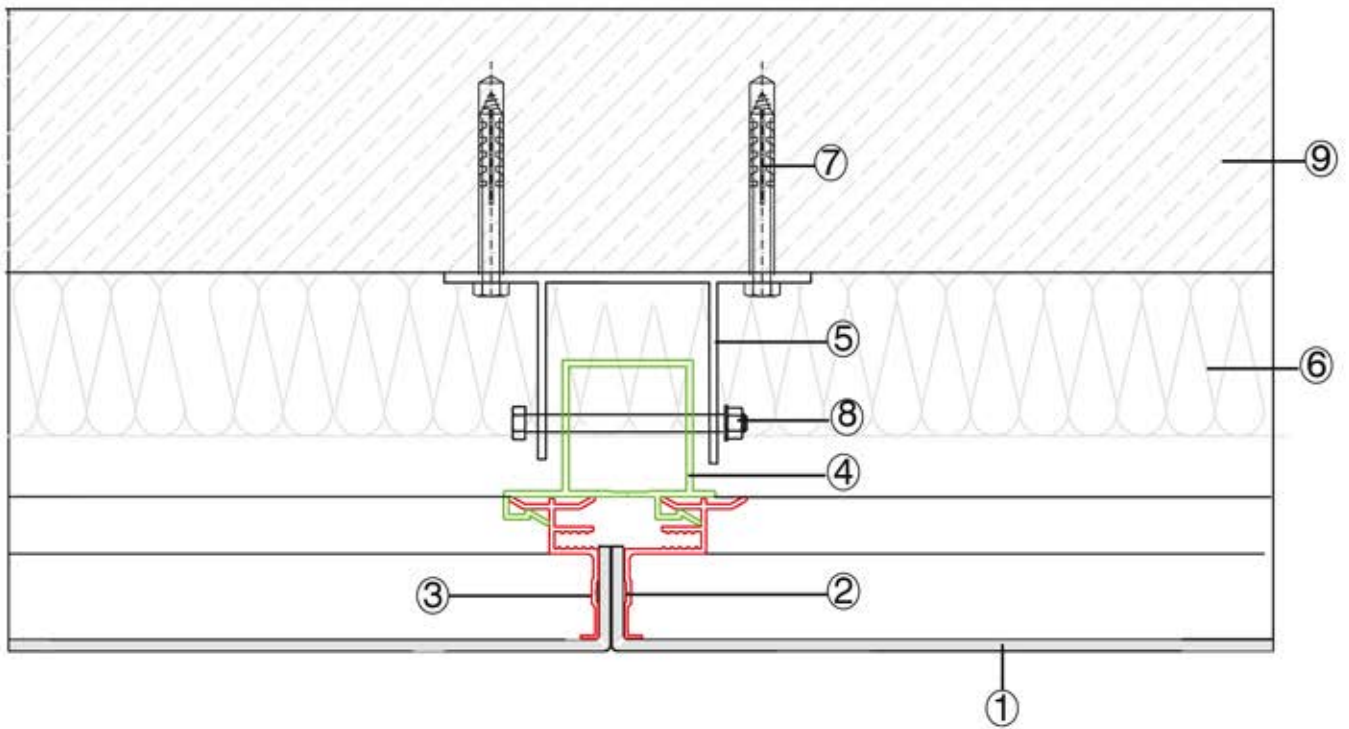


1. VERTICAL JOINT
2. HORIZONTAL JOINT
3. WINDOW HEAD/SILL
4. WINDOW SIDE
5. PARAPET RETURN
6. CORNER SEGMENT / INNER CORNER
7. CORNER SEGMENT / OUTER CORNER
8. LOWER CLADDING DETAIL



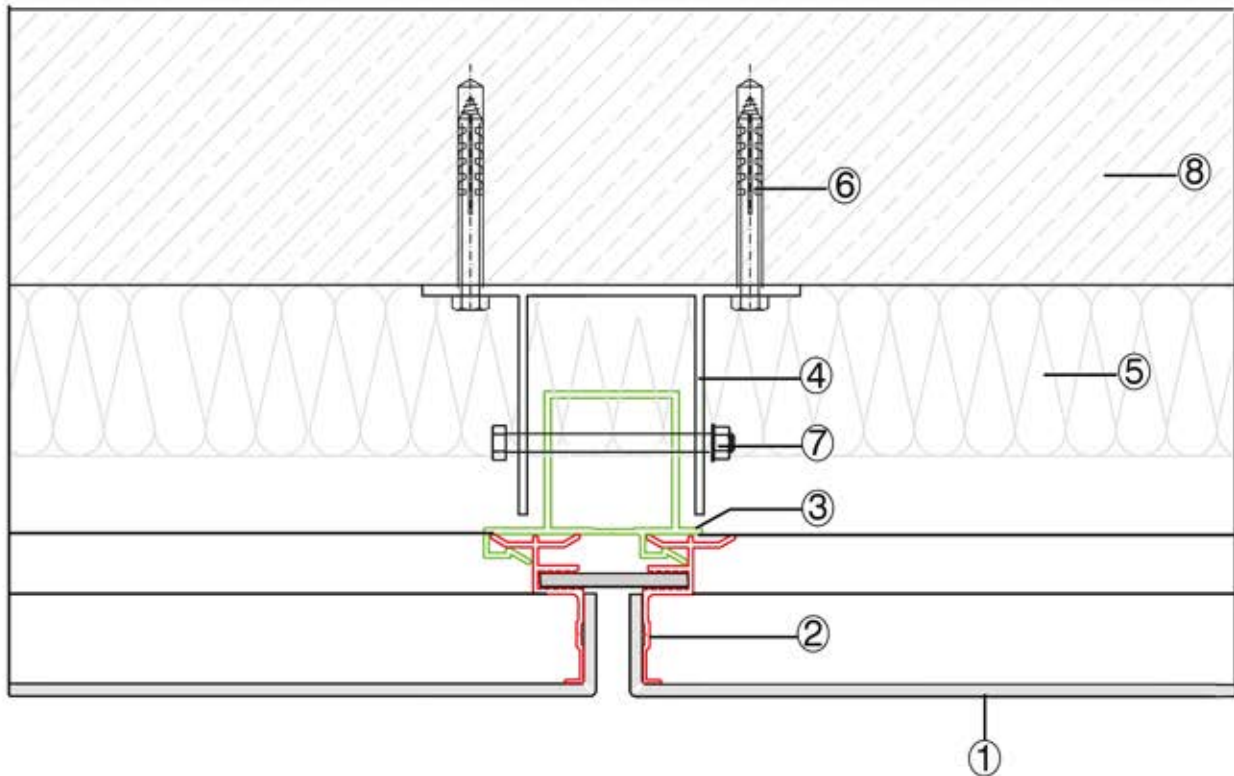
DESCRIPTION : VERTICAL JOINT SECTION (1)

ZERO JOINT



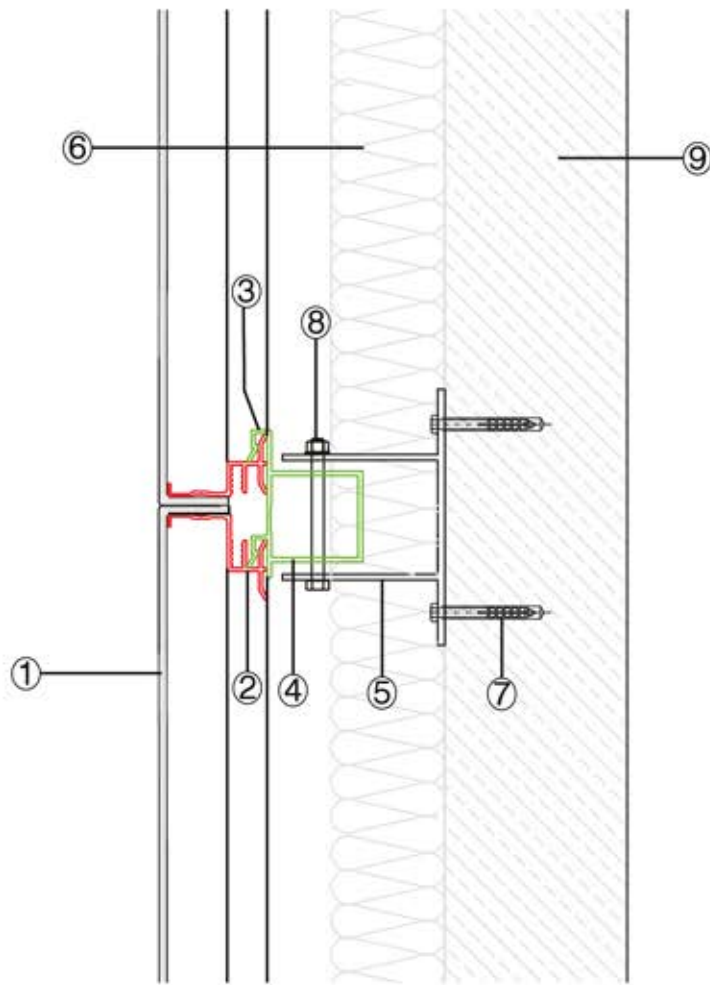
1. WELLBOND ALUMINUM COMPOSITE PANEL
2. ALUMINUM PROFILE WG 6562
3. ALUMINUM PROFILE WG 6565
4. ALUMINUM PROFILE WG 6566
5. WELLBOND WALL BRACKET
6. ROCK WOOL INSULATION
7. ANCHOR BOLT
8. BOLT AND NUT
9. WALL

DESCRIPTION : VERTICAL JOINT SECTION (1)



1. WELLBOND ALUMINUM COMPOSITE PANEL
2. ALUMINUM PROFILE WG 6565
3. ALUMINUM PROFILE WG 6566
4. WELLBOND WALL BRACKET
5. ROCK WOOL INSULATION
6. ANCHOR BOLT
7. BOLT AND NUT
8. WALL

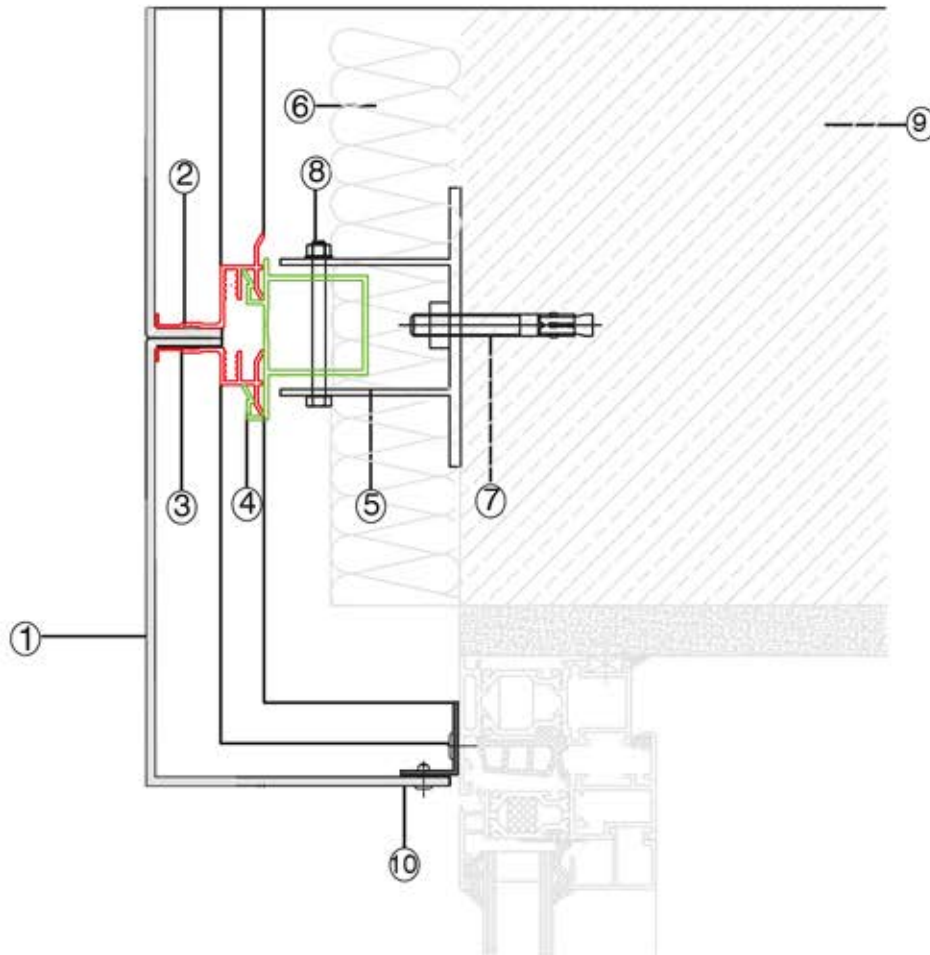
DESCRIPTION : HORIZONTAL JOINT SECTION (2)



1. WELLBOND ALUMINUM COMPOSITE PANEL
2. ALUMINUM PROFILE WG 6562
3. ALUMINUM PROFILE WG 6565
4. ALUMINUM PROFILE WG 6566
5. WELLBOND WALL BRACKET
6. ROCK WOOL INSULATION
7. ANCHOR BOLT
8. BOLT AND NUT
9. WALL

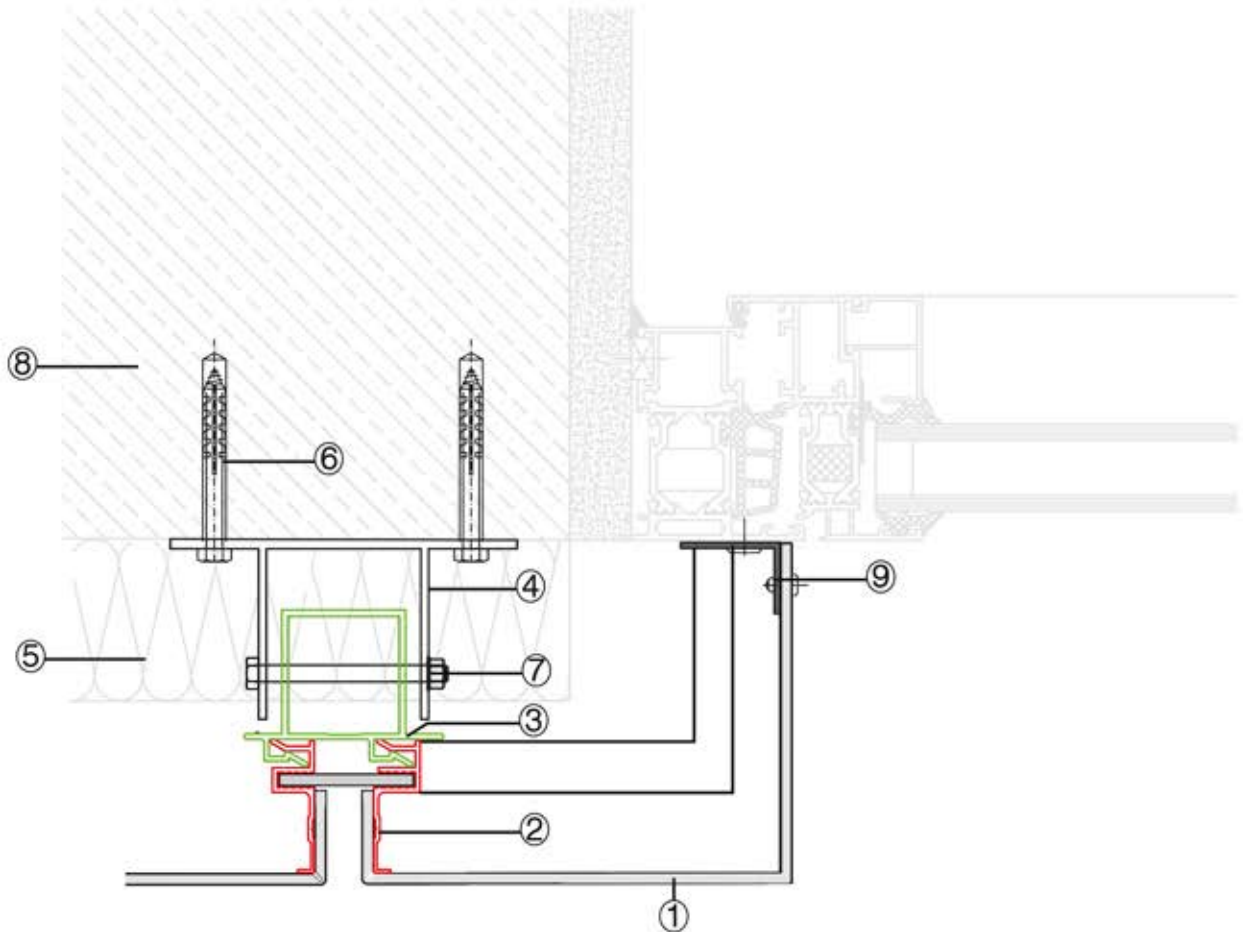


DESCRIPTION : WINDOW HEAD/SILL SECTION (3)



1. WELLBOND ALUMINUM COMPOSITE PANEL
2. ALUMINUM PROFILE WG 6562
3. ALUMINUM PROFILE WG 6565
4. ALUMINUM PROFILE WG 6566
5. WELLBOND WALL BRACKET
6. ROCK WOOL INSULATION
7. ANCHOR BOLT
8. BOLT AND NUT
9. WALL
10. ALUMINUM L 20*20

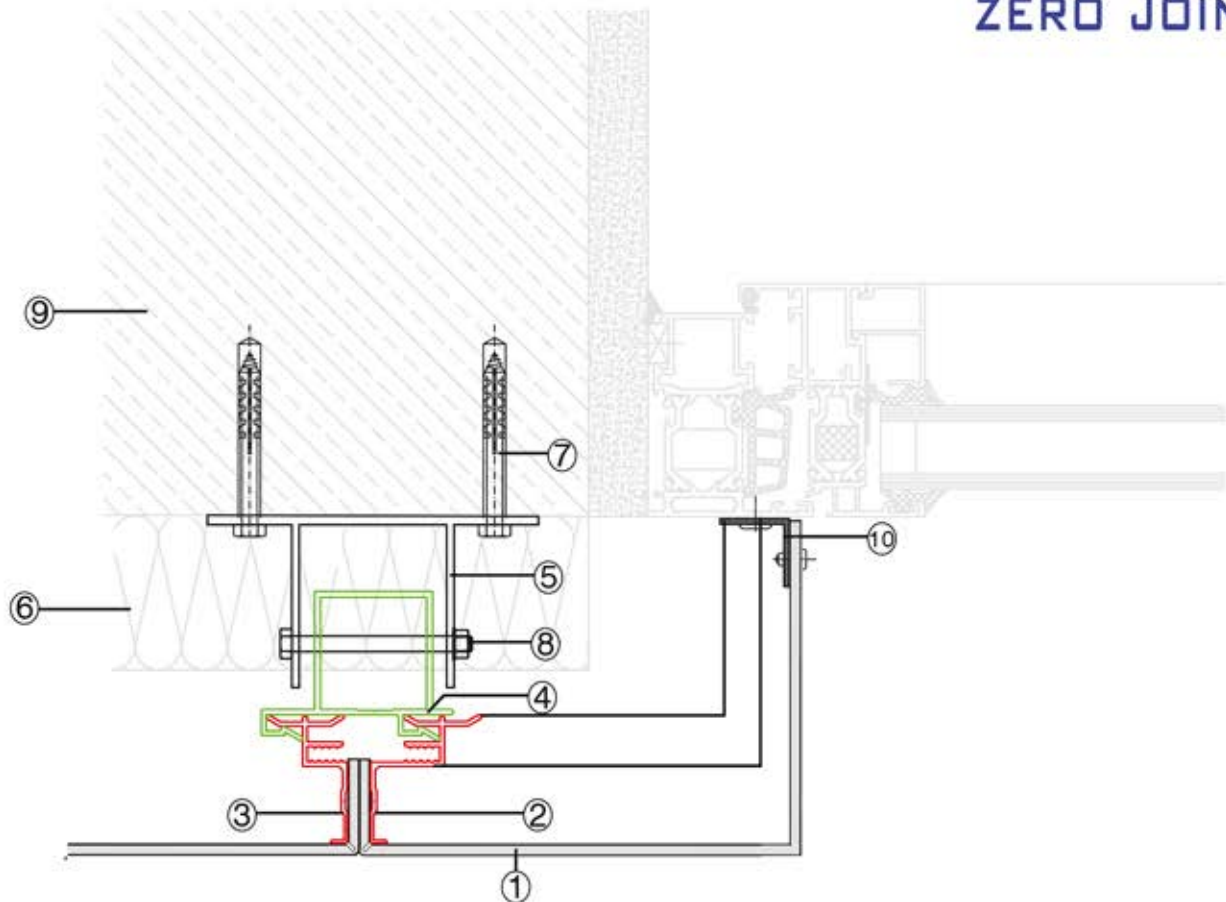
DESCRIPTION : WINDOW SIDE SECTION (4)



1. WELLBOND ALUMINUM COMPOSITE PANEL
2. ALUMINUM PROFILE WG 6565
3. ALUMINUM PROFILE WG 6566
4. WELLBOND WALL BRACKET
5. ROCK WOOL INSULATION
6. ANCHOR BOLT
7. BOLT AND NUT
8. WALL
9. ALUMINUM L 20*20

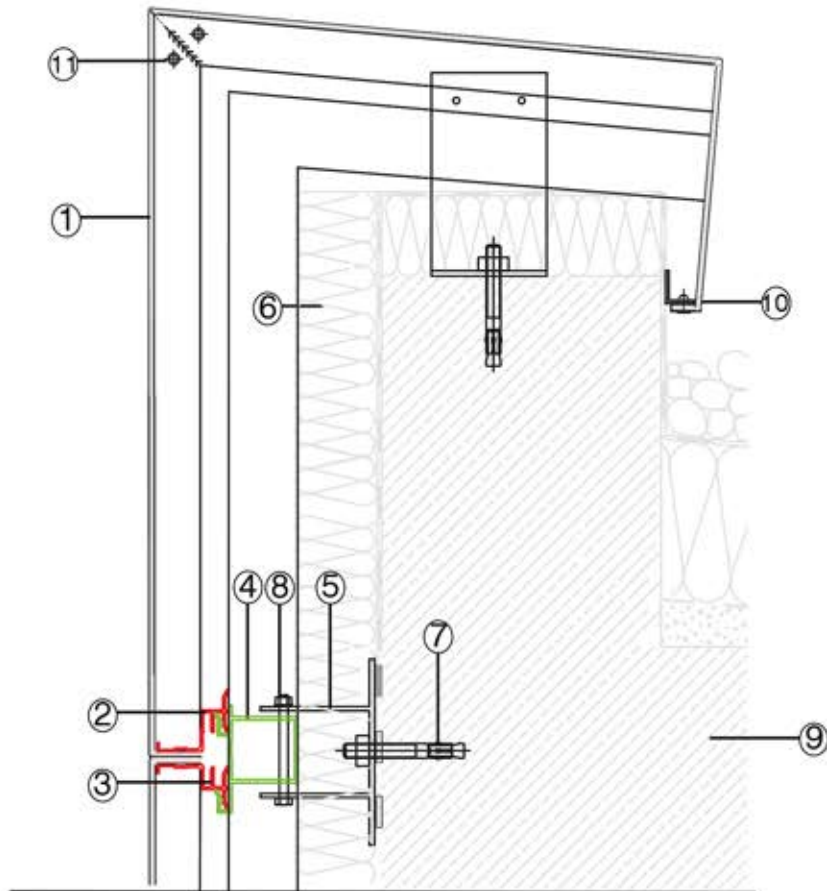
DESCRIPTION : WINDOW SIDE SECTION (4)

ZERO JOINT



1. WELLBOND ALUMINUM COMPOSITE PANEL
2. ALUMINUM PROFILE WG 6562
3. ALUMINUM PROFILE WG 6565
4. ALUMINUM PROFILE WG 6566
5. WELLBOND WALL BRACKET
6. ROCK WOOL INSULATION
7. ANCHOR BOLT
8. BOLT AND NUT
9. WALL
10. ALUMINUM L 20*20

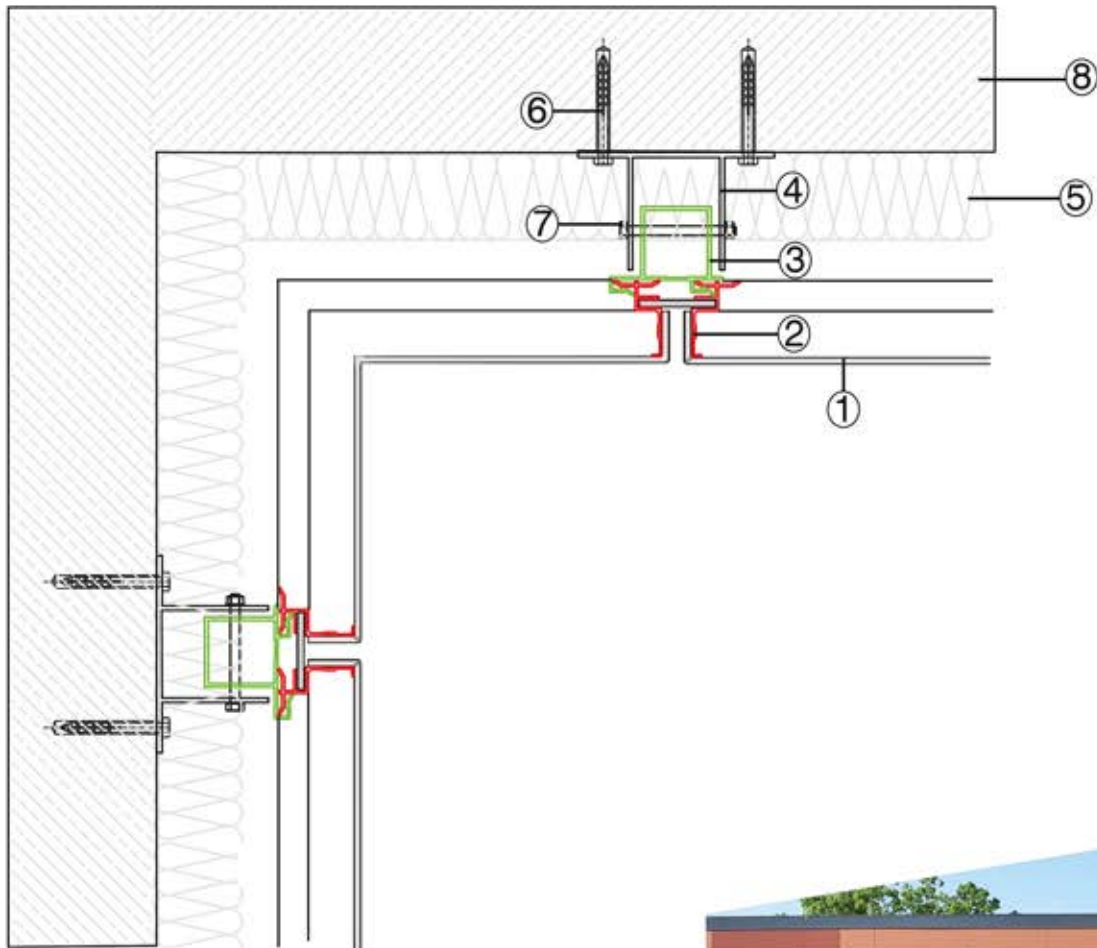
DESCRIPTION : PARAPET RETURN SECTION (5)



1. WELLBOND ALUMINUM COMPOSITE PANEL
2. ALUMINUM PROFILE WG 6562
3. ALUMINUM PROFILE WG 6565
4. ALUMINUM PROFILE WG 6566
5. WELLBOND WALL BRACKET
6. ROCK WOOL INSULATION
7. ANCHOR BOLT
8. BOLT AND NUT
9. WALL
10. ALUMINUM ANGLE 20*20
11. CLADDING RIVITE



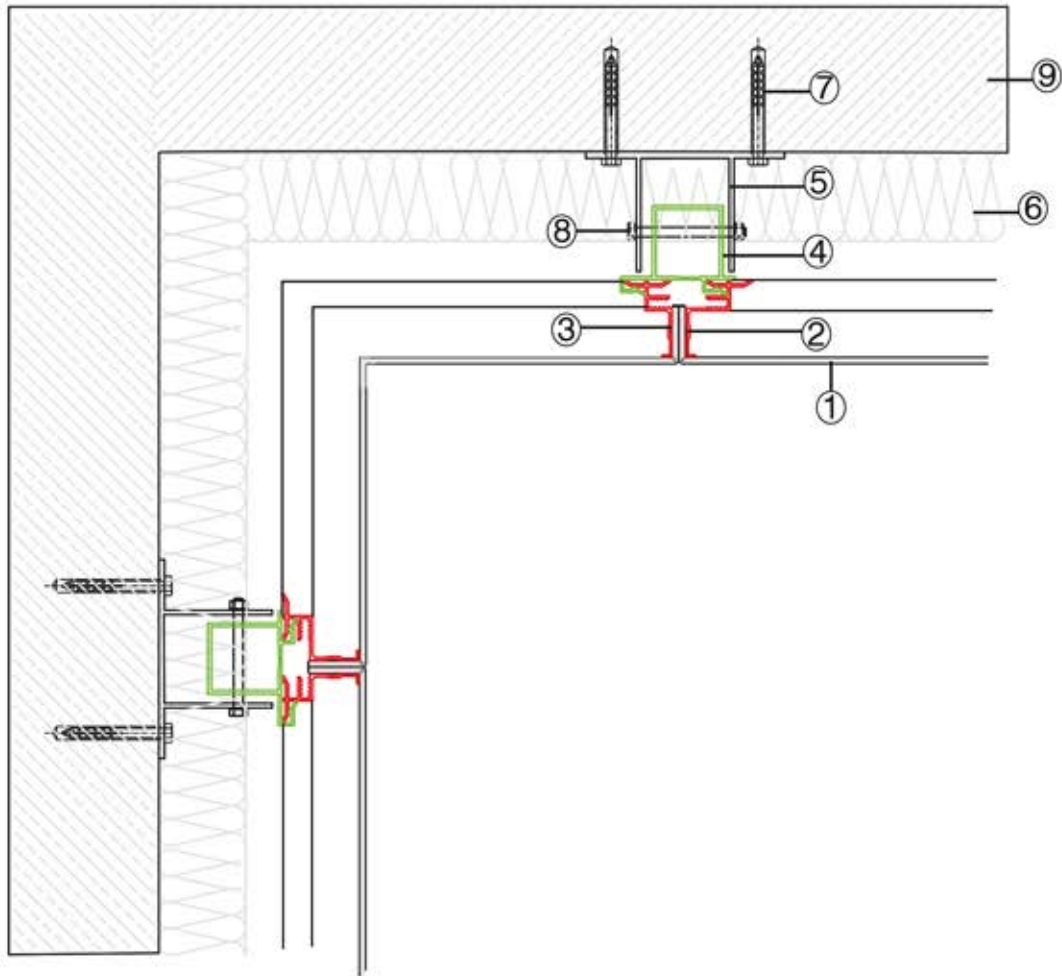
DESCRIPTION: CORNER SEGMENT / INNER CORNER SECTION (6)



1. WELLBOND ALUMINUM COMPOSITE PANEL
2. ALUMINUM PROFILE WG 6565
3. ALUMINUM PROFILE WG 6566
4. WELLBOND WALL BRACKET
5. ROCK WOOL INSULATION
6. ANCHOR BOLT
7. BOLT AND NUT
8. WALL

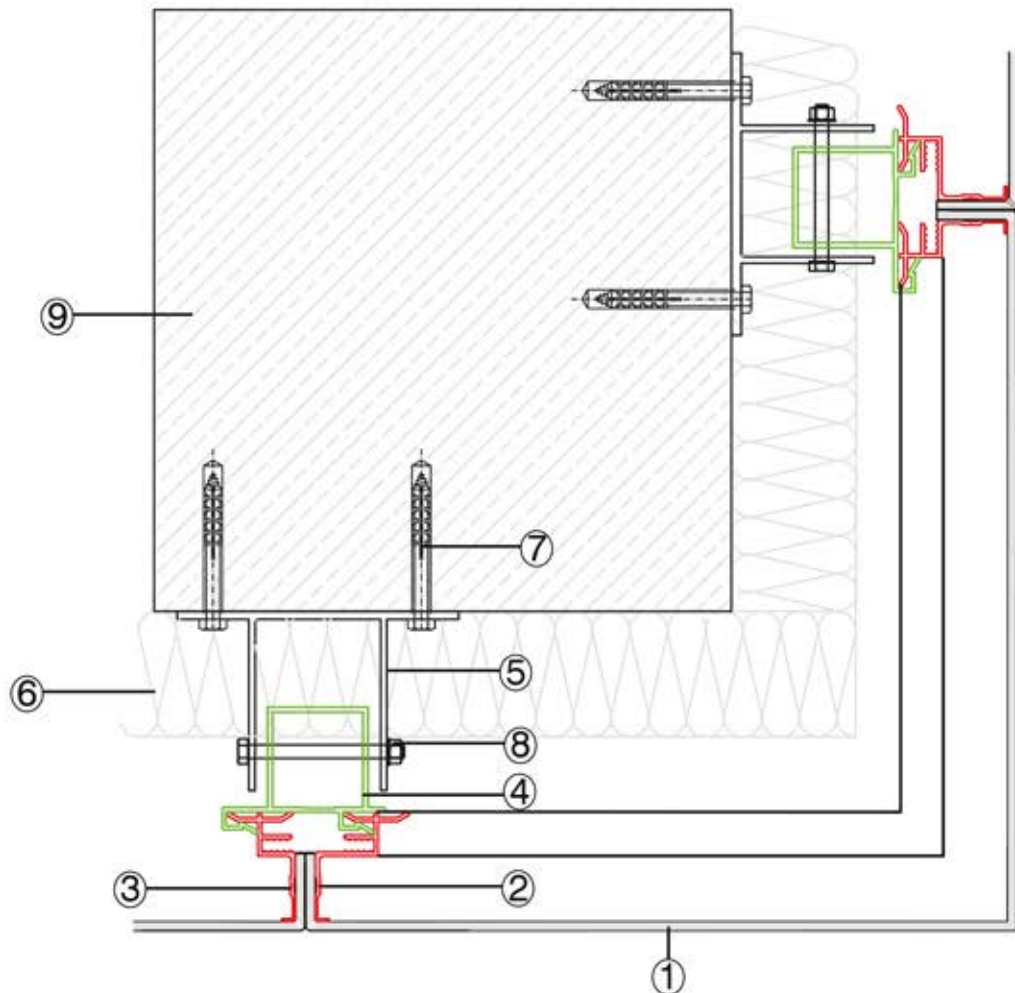


DESCRIPTION: CORNER SEGMENT / INNER CORNER SECTION (6)



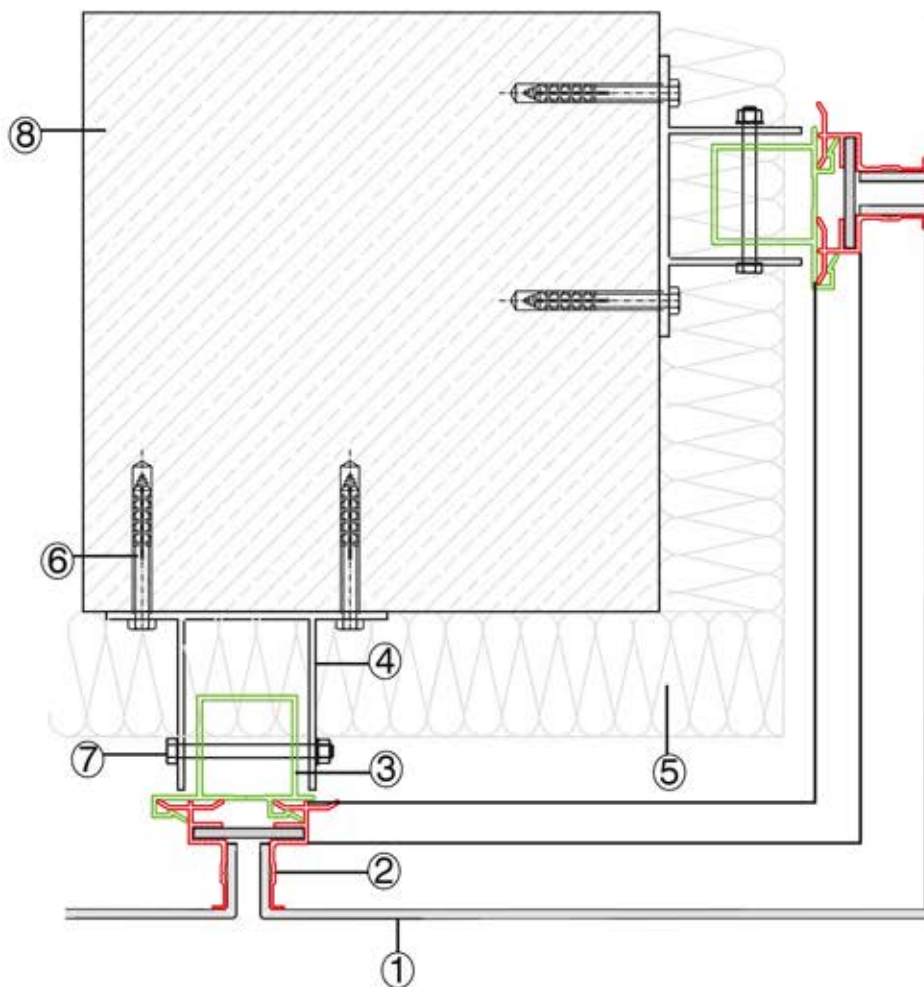
1. WELLBOND ALUMINUM COMPOSITE PANEL
2. ALUMINUM PROFILE WG 6562
3. ALUMINUM PROFILE WG 6565
4. ALUMINUM PROFILE WG 6566
5. WELLBOND WALL BRACKET
6. ROCK WOOL INSULATION
7. ANCHOR BOLT
8. BOLT AND NUT
9. WALL

DESCRIPTION: CORNER SEGMENT / OUTER CORNER SECTION (7)



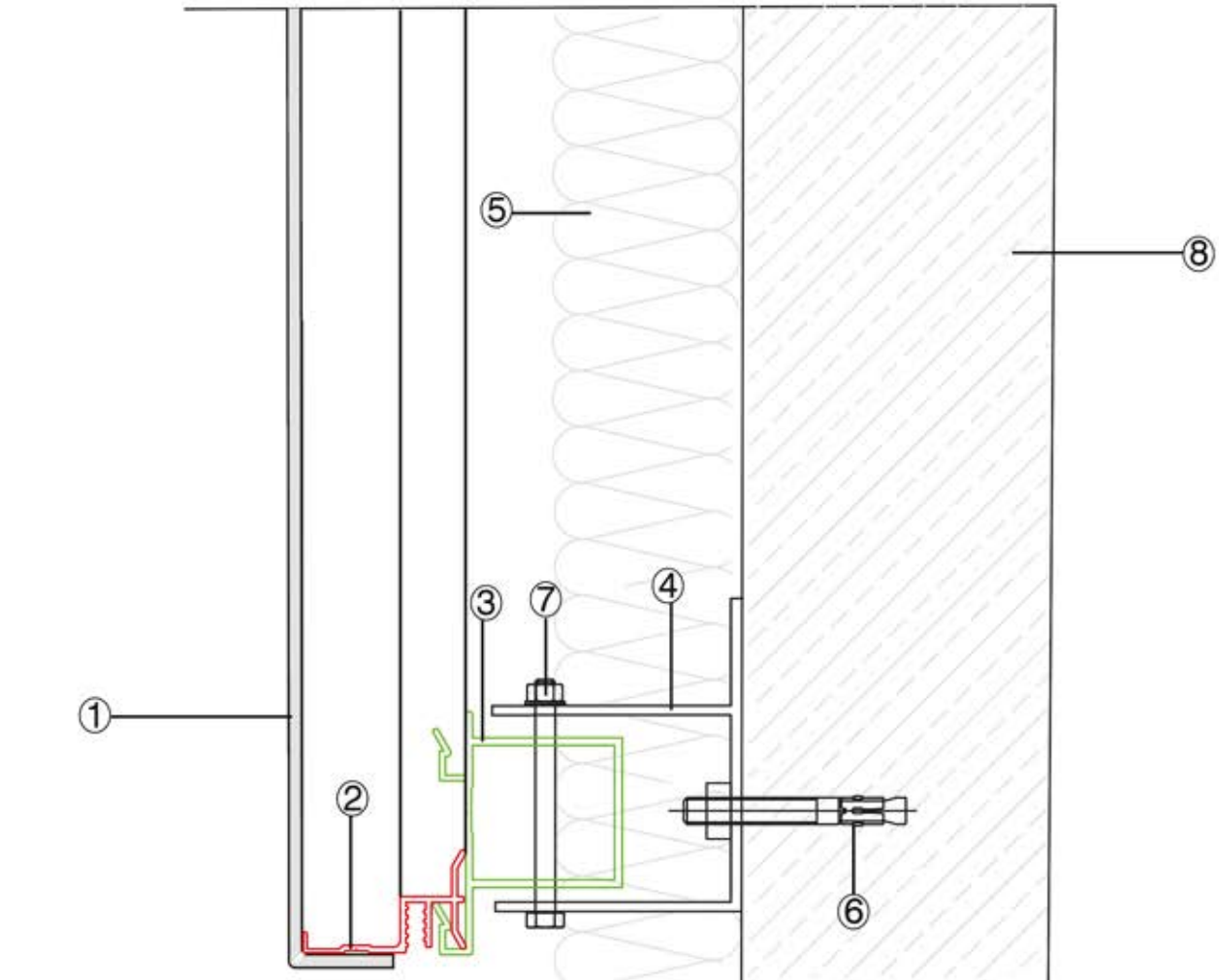
1. WELLBOND ALUMINUM COMPOSITE PANEL
2. ALUMINUM PROFILE WG 6562
3. ALUMINUM PROFILE WG 6565
4. ALUMINUM PROFILE WG 6566
5. WELLBOND WALL BRACKET
6. ROCK WOOL INSULATION
7. ANCHOR BOLT
8. BOLT AND NUT
9. WALL

DESCRIPTION: CORNER SEGMENT / OUTER CORNER SECTION (7)



1. WELLBOND ALUMINUM COMPOSITE PANEL
2. ALUMINUM PROFILE WG 6565
3. ALUMINUM PROFILE WG 6566
4. WELLBOND WALL BRACKET
5. ROCK WOOL INSULATION
6. ANCHOR BOLT
7. BOLT AND NUT
8. WALL

DESCRIPTION : LOWER CLADDING HEAD DETAIL (8)



1. WELLBOND ALUMINUM COMPOSITE PAN
2. ALUMINUM PROFILE WG 6565
3. ALUMINUM PROFILE WG 6566
4. WELLBOND WALL BRACKET
5. ROCK WOOL INSULATION
6. ANCHOR BOLT
7. BOLT AND NUT
8. WALL

